



HealthShield™ ASSEMBLY INSTRUCTIONS

PROTECTING LIVES, ONE SHIELD AT A TIME

Thank you for your purchase of one of many fine HealthShield™ products designed & manufactured by UPC. We have made every effort to make your assembly easy, clear & hassle free. For more information or if you have any questions contact customer service at 1-800-859-7442 or visit www.healthshield.care

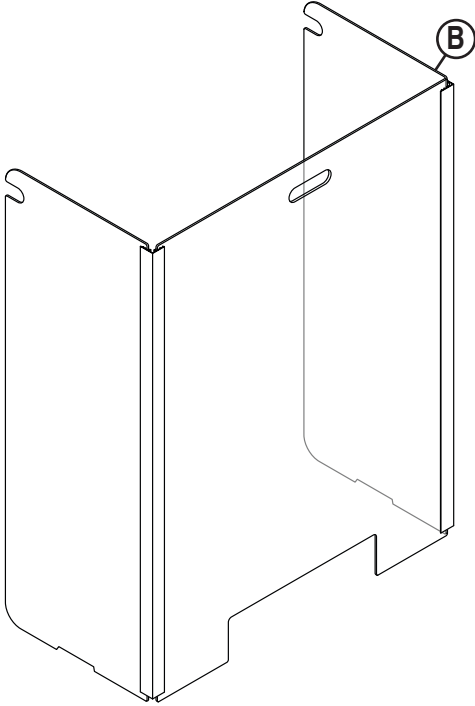
UPC HealthShield™

UPC# 14032 - Foldable Shield with Cutout 3/16" x 31.5"H x 23.5"W x 11.5"D

PART BAG	Quantity	Reference
Clip	2	A

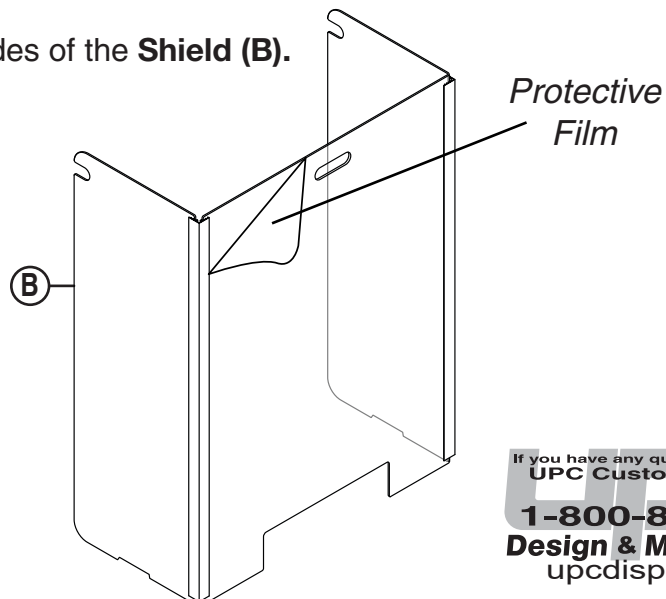


PART LIST	Quantity	Reference
Shield	1	B



ASSEMBLY

- 1 Peel the *Protective Film* from both sides of the **Shield (B)**.



If you have any questions please call:
UPC Customer Service
1-800-859-7442
Design & Manufacture
upcdisplays.com

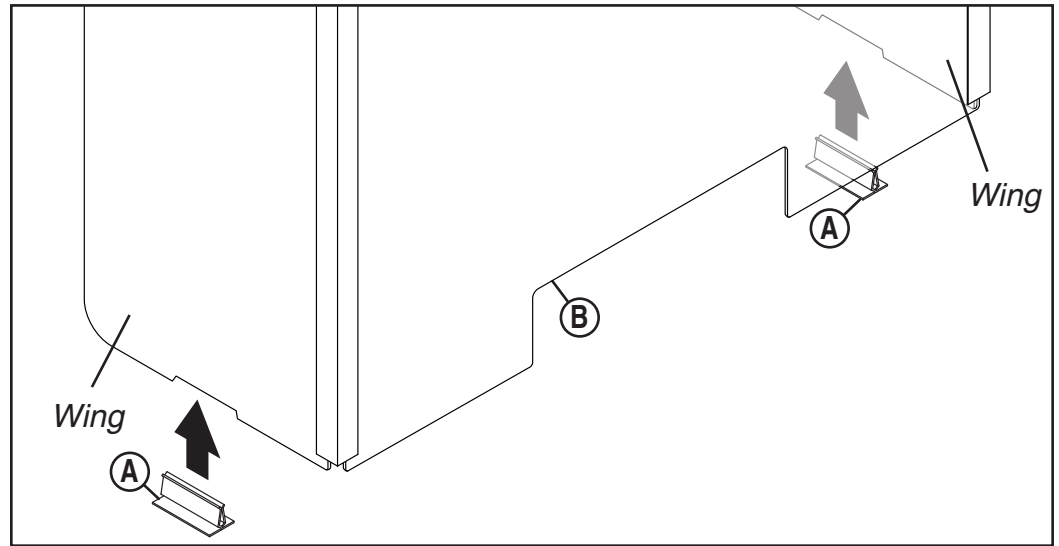


If you have any questions please call:
UPC Customer Service

1-800-859-7442

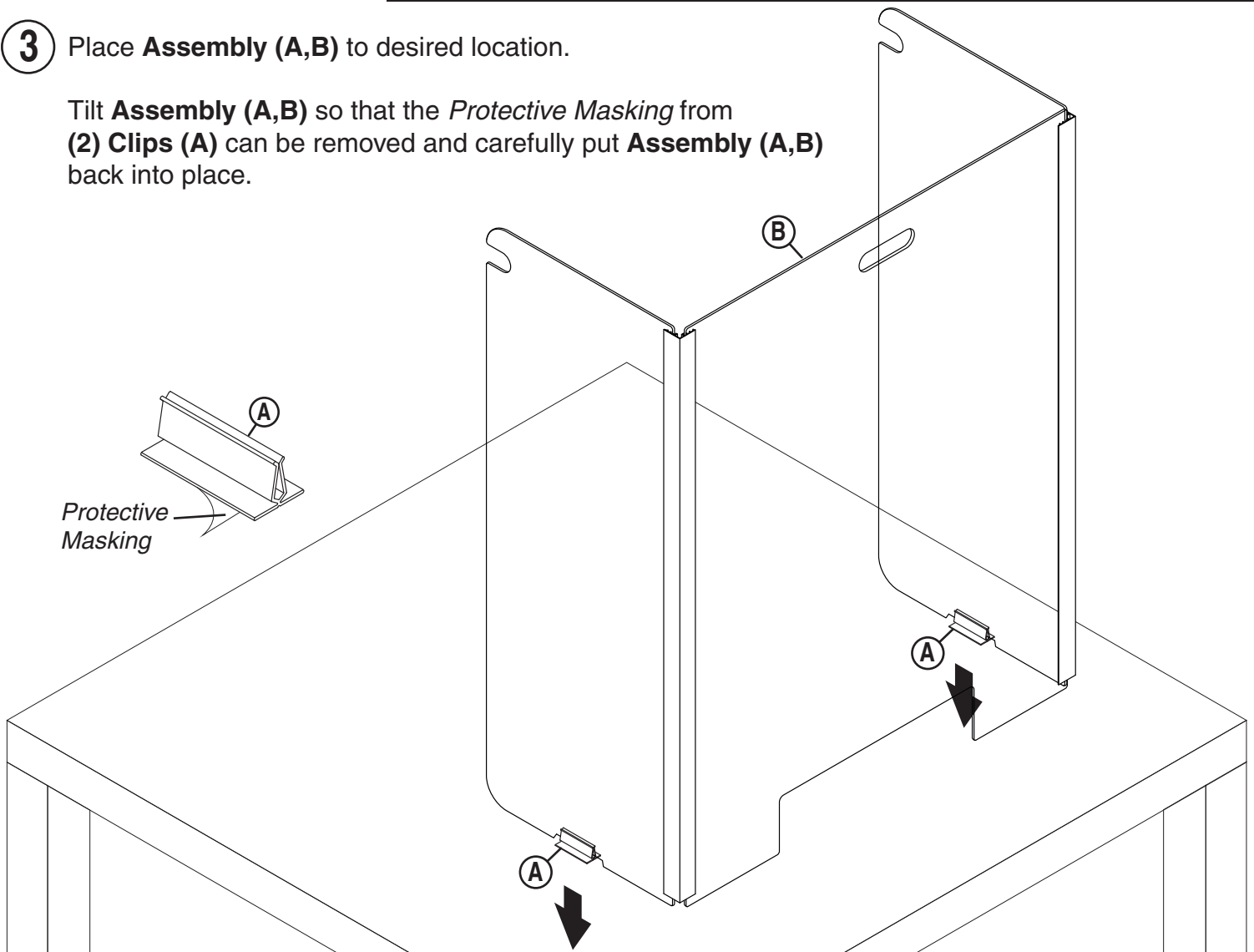
Design & Manufacture
upcdisplays.com

- 2 Attach (2) Clips (A) to both wings of Shield (B).



- 3 Place Assembly (A,B) to desired location.

Tilt Assembly (A,B) so that the *Protective Masking* from (2) Clips (A) can be removed and carefully put Assembly (A,B) back into place.



www.healthshield.care

CALL TOLL FREE: 1-800-859-7442 - EMAIL: sales@upcdisplays.com

