



HealthShield™ ASSEMBLY INSTRUCTIONS

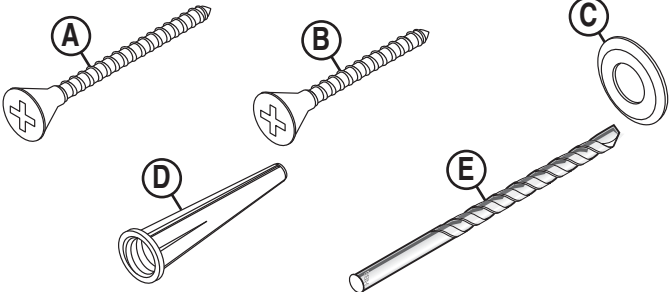
PROTECTING LIVES, ONE SHIELD AT A TIME

Thank you for your purchase of one of many fine HealthShield™ products designed & manufactured by UPC. We have made every effort to make your assembly easy, clear & hassle free. For more information or if you have any questions contact customer service at 1-800-859-7442 or visit www.healthshield.care

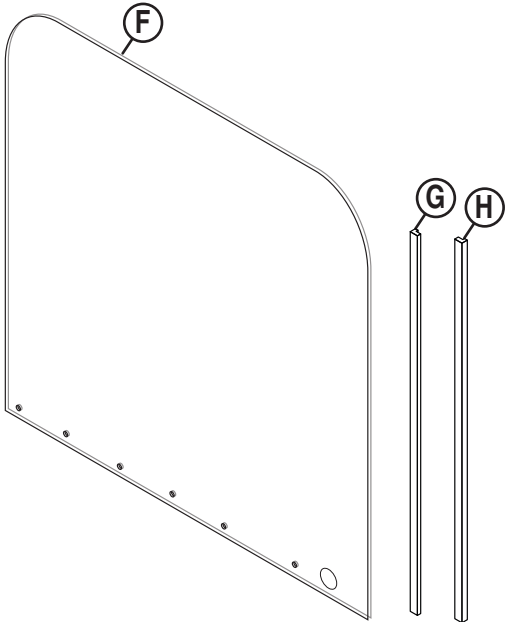
UPC HealthShield™ #14042 / 14043 / 14044 / 14045 - Aisle Shield 47.5" x 47.5"

PART BAG	Quantity	Reference
Long Tapping Screw	8 (1 extra)	A
Short Tapping Screw	8	B
Finishing Washer	16 (1 extra)	C
Wall Anchor	8 (1 extra)	D
3/16" Drill Bit	1	E

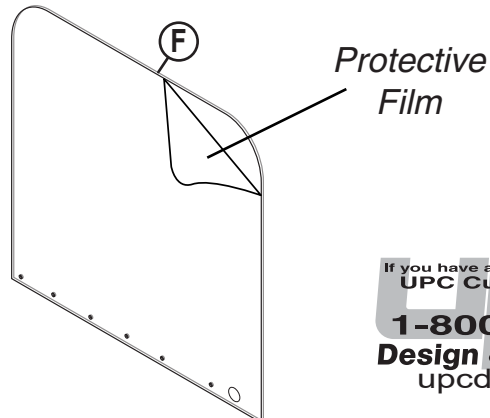
TOOLS REQUIRED: Drill, 1/4" Bit & Level



PART LIST	Quantity	Reference
Aisle Shield	1	F
Left Support	1	G
Right Support	1	H



1 Peel the *Protective Film* from both sides of the Aisle Shield (F).



Attention:

This is a guide for attaching Aisle Shield (F) to wood and wood like substrates. Different materials will require different methods of attachment. Additional hardware not provided.

If you have any questions please call:
UPC Customer Service
1-800-859-7442
Design & Manufacture
upcdisplays.com

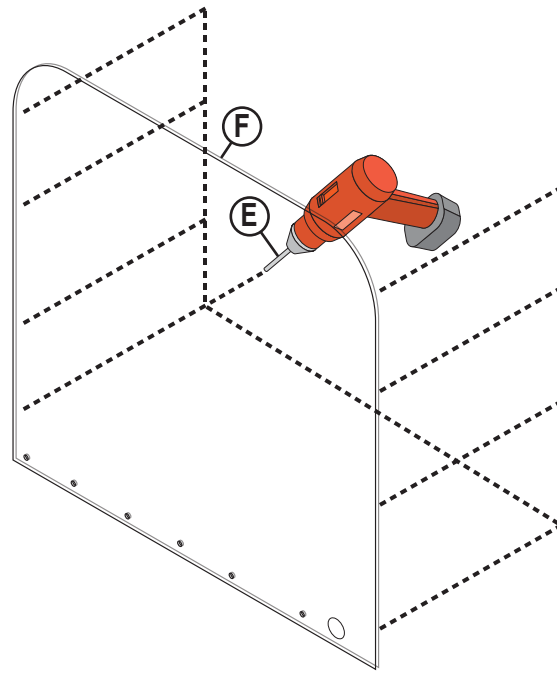
If you have any questions please call:

UPC Customer Service

1-800-859-7442

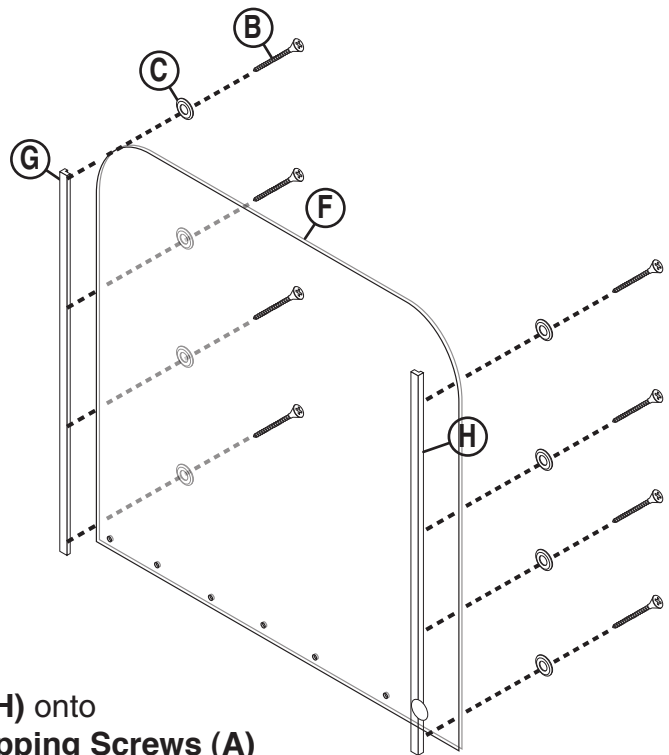
Design & Manufacture
upcdisplays.com

OPTIONAL



2 NOTE: 2 people are needed for this step.

If extra support is needed for the **Aisle Shield (F)**, then use **3/16" Drill Bit (E)** and drill 8 holes into the sides of **Aisle Shield (F)**.



3 Screw **Left Support (G)** and **Right Support (H)** onto **Aisle Shield (F)** into place using **(8) Short Tapping Screws (A)** and **(8) Finishing Washers (C)**.

If you have any questions please call:

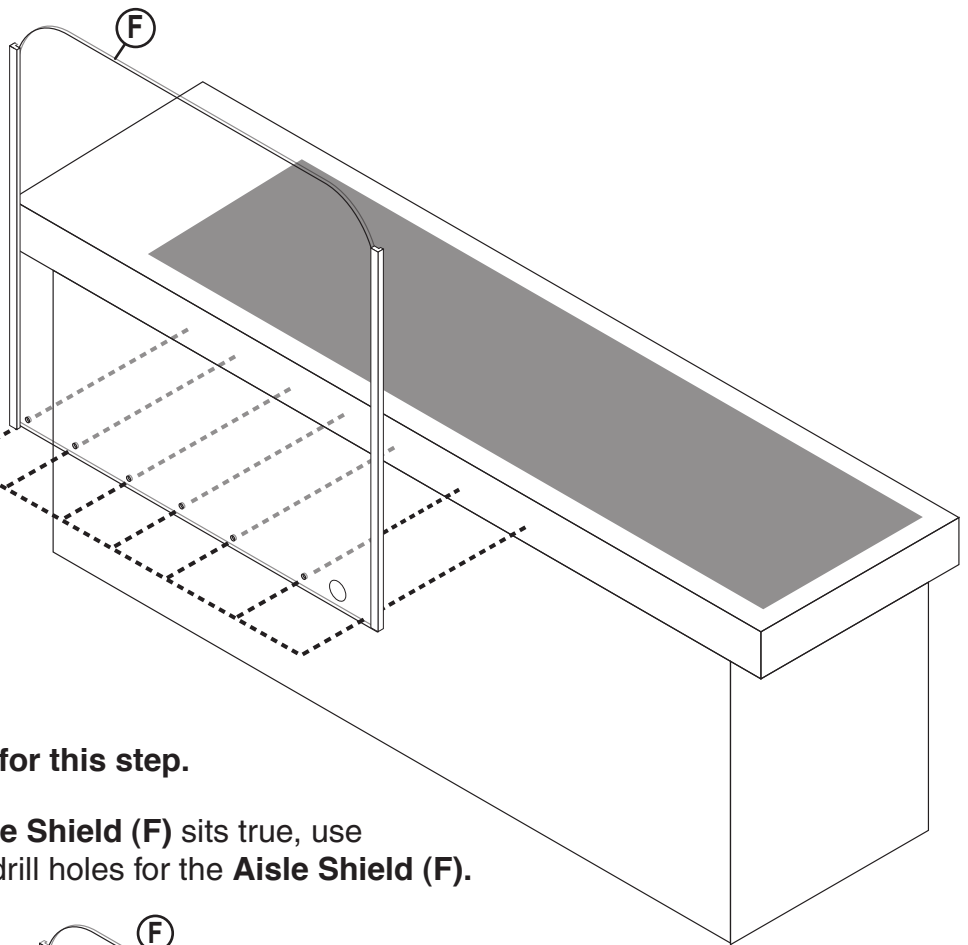
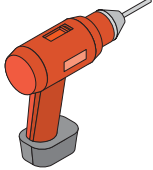
UPC Customer Service

1-800-859-7442

Design & Manufacture
upcdisplays.com

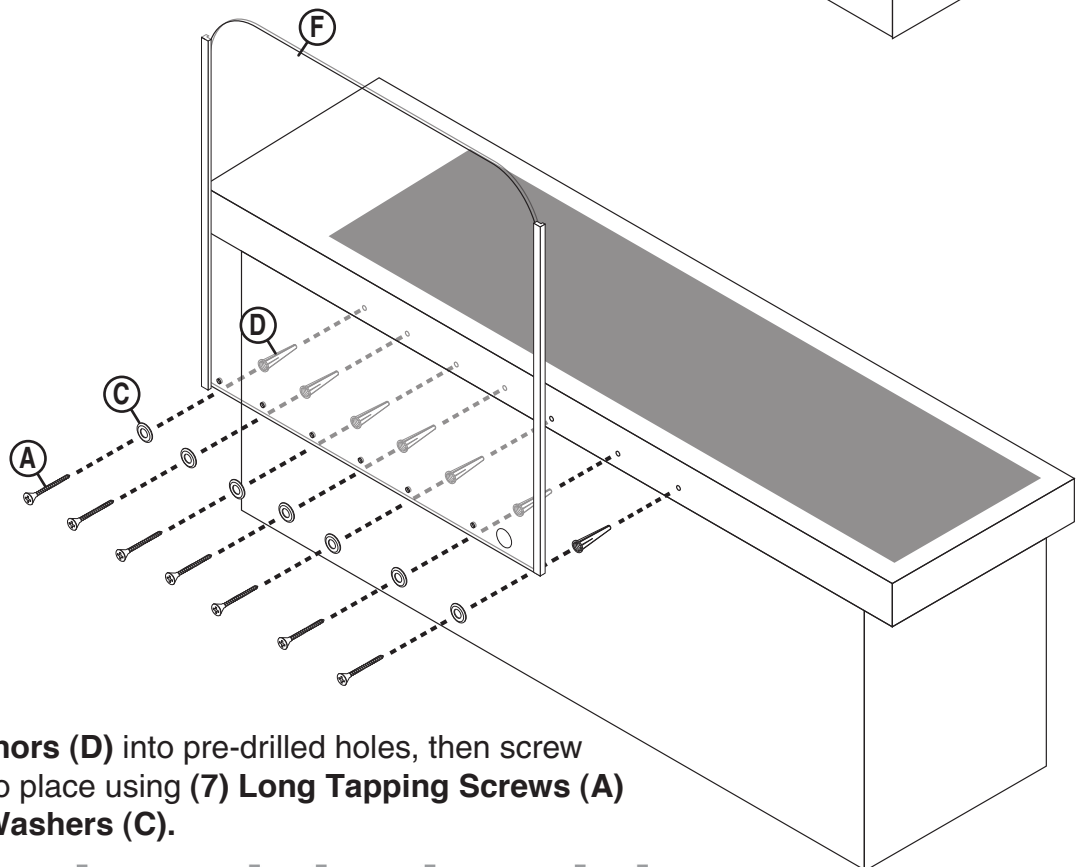
ASSEMBLY

NOTE: Shown with optional trim.



4 NOTE: 2 people are required for this step.

Using a level to assure the **Aisle Shield (F)** sits true, use **Aisle Shield (F)** as a guide to drill holes for the **Aisle Shield (F)**.



5 Place (7) **Wall Anchors (D)** into pre-drilled holes, then screw **Aisle Shield (F)** into place using (7) **Long Tapping Screws (A)** and (7) **Finishing Washers (C)**.



www.healthshield.care

CALL TOLL FREE: 1-800-859-7442 - EMAIL: sales@upcdisplays.com

