



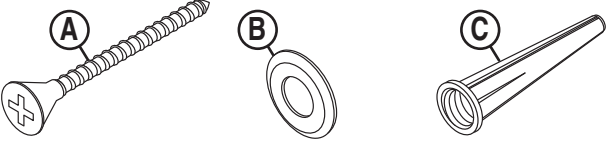
HealthShield™ ASSEMBLY INSTRUCTIONS

PROTECTING LIVES, ONE SHIELD AT A TIME

Thank you for your purchase of one of many fine HealthShield™ products designed & manufactured by UPC. We have made every effort to make your assembly easy, clear & hassle free. For more information or if you have any questions contact customer service at 1-800-859-7442 or visit www.healthshield.care

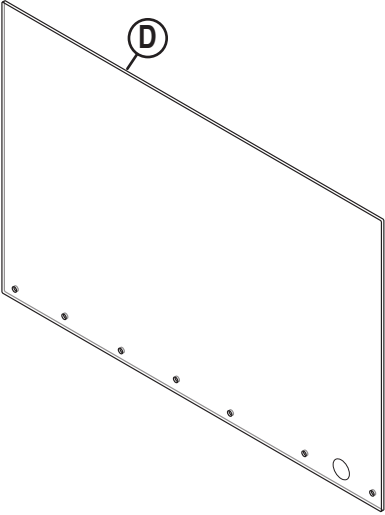
UPC HealthShield™ #14038 / 14039 / 14040 / 14041 - Aisle Shield 31.5" x 47.5"

PART BAG	Quantity	Reference
Tapping Screw	8 (1 extra)	A
Finishing Washer	8 (1 extra)	B
Wall Anchor	8 (1 extra)	C

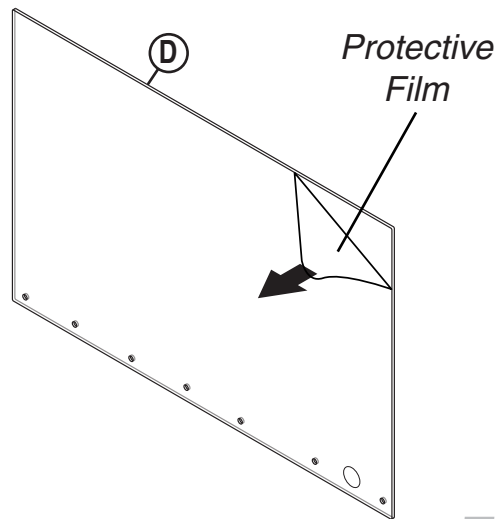


TOOLS REQUIRED: Drill, 1/4" Bit & Level

PART LIST	Quantity	Reference
Aisle Shield	1	D



1 Peel the *Protective Film* from both sides of the **Aisle Shield (D)**.



Attention:
 This is a guide for attaching **Aisle Shield (D)** to wood and wood like substrates. Different materials will require different methods of attachment. Additional hardware not provided.

If you have any questions please call:
UPC Customer Service
1-800-859-7442
Design & Manufacture
upcdisplays.com

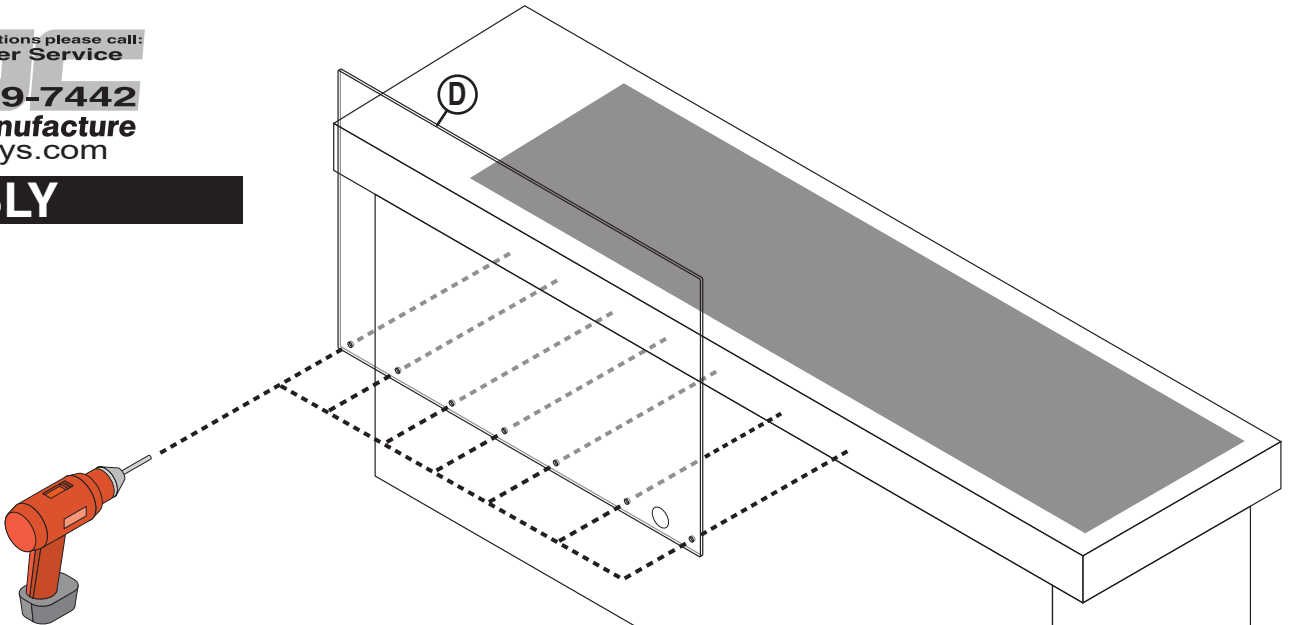
If you have any questions please call:

UPC Customer Service

1-800-859-7442

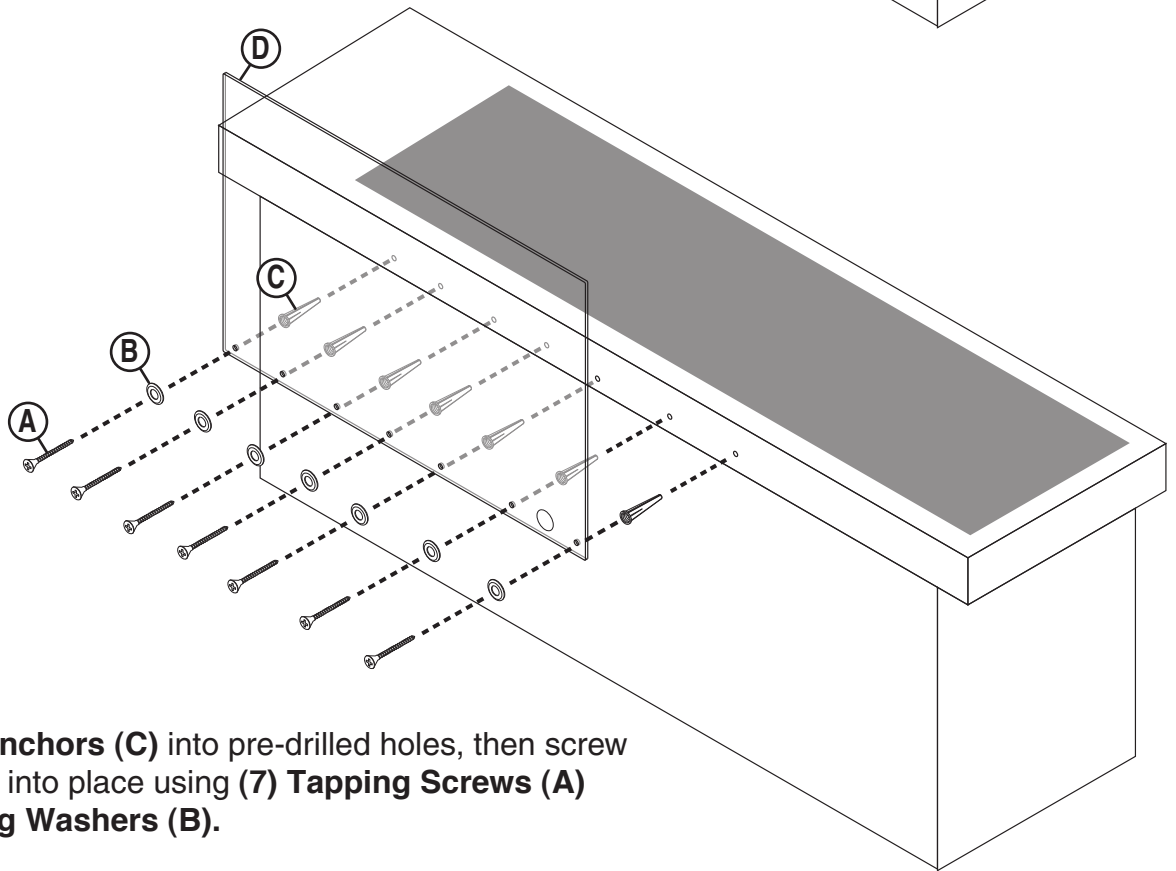
Design & Manufacture
upcdisplays.com

ASSEMBLY



2 NOTE: 2 people are required for this step.

Using a level to assure the **Aisle Shield (D)** sits true, use **Aisle Shield (D)** as a guide to drill holes for the **Aisle Shield (D)**.



3 Place (7) Wall Anchors (C) into pre-drilled holes, then screw **Aisle Shield (D)** into place using (7) Tapping Screws (A) and (7) Finishing Washers (B).



www.healthshield.care

CALL TOLL FREE: 1-800-859-7442 - EMAIL: sales@upcdisplays.com

